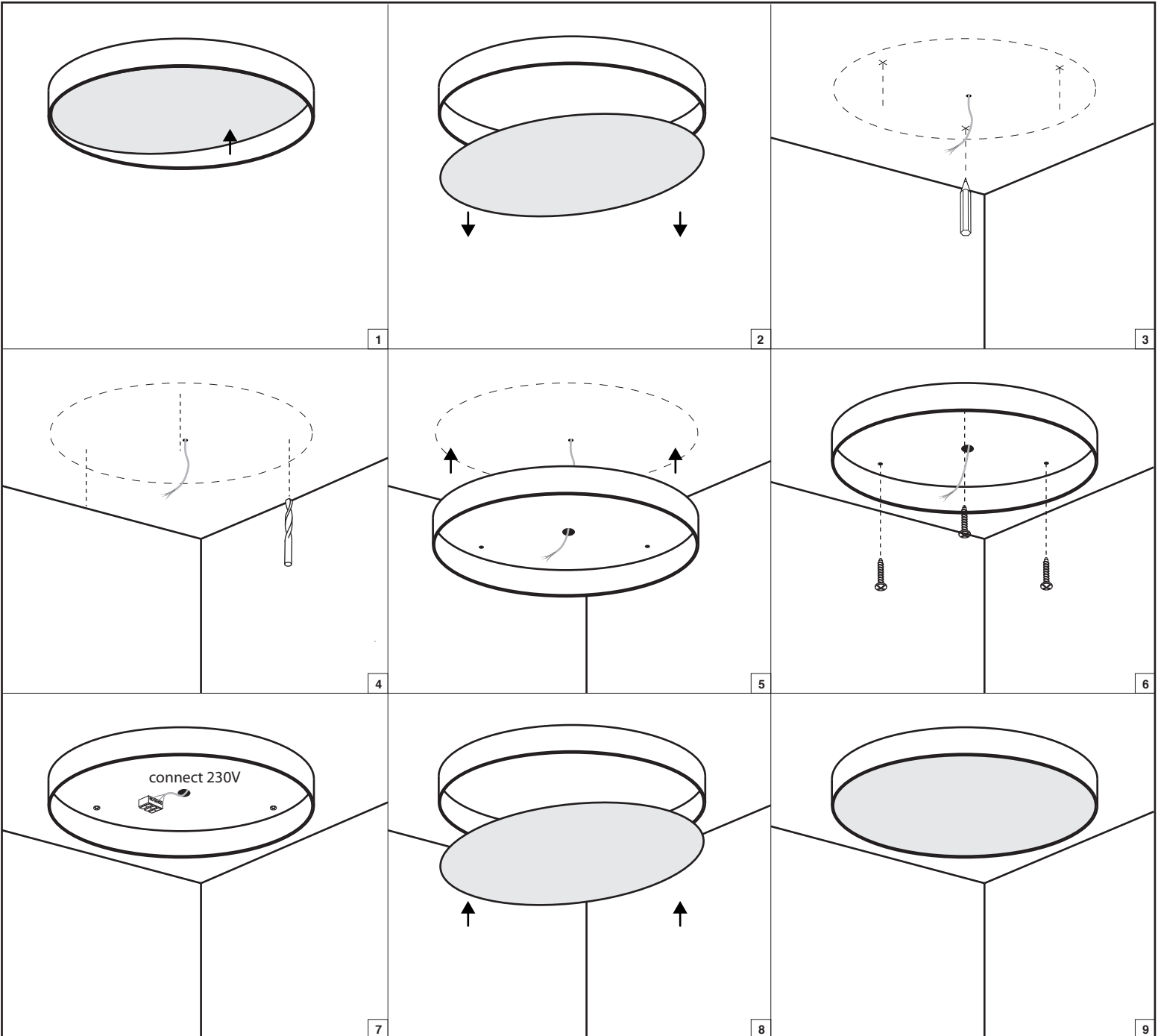


Surface Mounted:

1. Push cover up so that it is positioned under an angle
2. Pull the cover out of the luminaire
3. Mark hole positions on the ceiling
4. Drill holes at marked locations and place screw anchors (screw plugs, plasterboard plugs,...)
5. Pull cable trough the center hole and place luminaire against the ceiling
6. Fix luminaire to ceiling using screws
7. Connect power (230V)
8. Place cover back inside luminaire by pushing it trough the opening under an angle
9. If the cover is placed the luminaire can be tested and the installation is finished

**When using an optional suspension set, Full Moon can also be suspended.
For suspended mounting please consult Full Moon suspended mounting instructions.**



⚠ Attention!!

Be very careful with LEDs when working on product!
Do not touch LED surface. Do not let tools come in contact with LED surface.
Warranty void if LED contact has taken place.

Only to be installed by a qualified electrician.
Always make sure power is completely switched off when working on luminaire.

Doxis Lighting Factory NV cannot be held responsible for any damage caused by incorrect installation.

Non dim.:

- N blue
- ⊥ yellow-green
- L red

1-10V dim.:

- N blue
- ⊥ yellow-green
- L red
- 1-10V + brown
- 1-10V - white

Touchdim / Push:

- N blue
 - ⊥ yellow-green
 - L red
 - brown
 - N white
- Push btn on L

DALI:

- N blue
- ⊥ yellow-green
- L red
- DALI + brown
- DALI - white

For detailed wiring please consult diagrams (available on www.doxis.be)